

SONATA

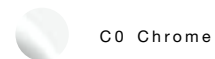
Wall-mounted toilet brush holder (installation with screws or adhesive)



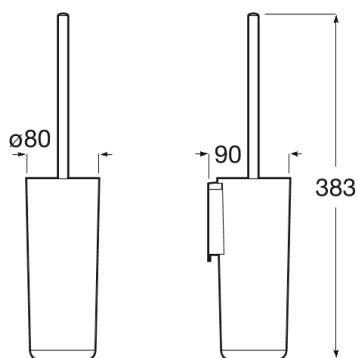
DIMENSIONS

Length	383 mm
Width	80 mm
Height	89 mm

COLOURS AND FINISHES



TECHNICAL DRAWINGS



FEATURES

Wall-mounted toilet brush holder (installation with screws or adhesive).

Finish: Chrome, matte black

Fixing kit: Included

Installation options: With screws or adhesive

Installation type: Wall-mounted

Material: Metal

Maximum weight supported (Kg): 5

Shape: Wall-mounted



Sonata

Lines that play with delicacy and materials that provide a high degree of firmness interact in this contemporary collection.

